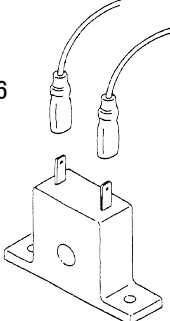
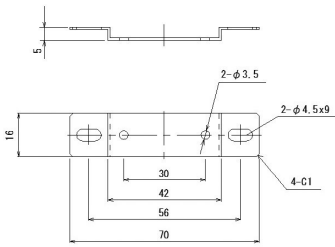
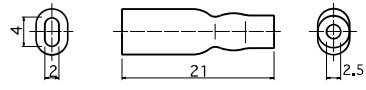
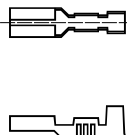
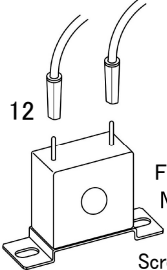
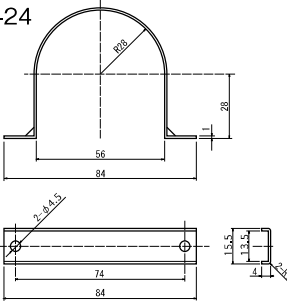
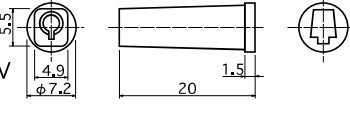
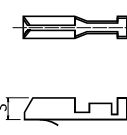
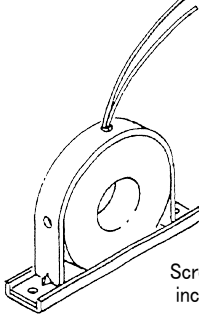
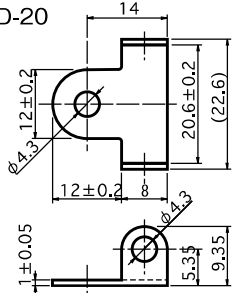
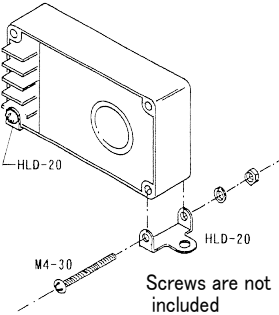
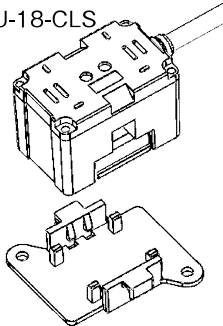
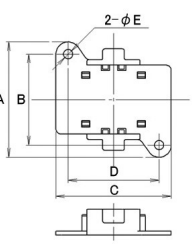


Appendix -① Accessories list

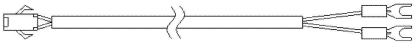



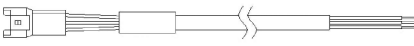


付
則

Assembly drawing	Mounting bracket/board	Receptacle																								
<p>CTL-6-S-H CTL-6-P-H + Receptacle for 6</p>  <table border="1" data-bbox="92 510 247 631"> <tr><td>Applied wire range</td></tr> <tr><td>0.3~0.89mm²</td></tr> <tr><td>Wire overall diameter</td></tr> <tr><td>1.52~2.54mm</td></tr> </table>	Applied wire range	0.3~0.89mm ²	Wire overall diameter	1.52~2.54mm	<p>HLD-12A</p>  <p>¥ 250</p>	 <p>170823-1 042470-1</p>  <p>Climp tool (Tyco-electronics) 2063846-1</p> <p>¥ 70 / set (Receptacle for 6)</p>																				
Applied wire range																										
0.3~0.89mm ²																										
Wire overall diameter																										
1.52~2.54mm																										
<p>CTL-12 + HLD-12A + Receptacle for 12</p>  <table border="1" data-bbox="92 896 247 1016"> <tr><td>Applied wire range</td></tr> <tr><td>0.2~0.5mm²</td></tr> <tr><td>Wire overall diameter</td></tr> <tr><td>1.4~2.7mm</td></tr> </table> <p>Fixing screw M3-6+SW Screws are not included</p>	Applied wire range	0.2~0.5mm ²	Wire overall diameter	1.4~2.7mm	<p>HLD-24</p>  <p>¥ 350 / set</p>	 <p>S1P-LV LVF-01T-2.36N</p>  <p>Climp tool (JST) YC-152</p> <p>¥ 90 / set (Receptacle for 12)</p>																				
Applied wire range																										
0.2~0.5mm ²																										
Wire overall diameter																										
1.4~2.7mm																										
<p>CTL-24 + HLD-24</p>  <p>Screws are not included</p>	<p>HLD-20</p>  <p>¥ 330 / set</p>																									
<p>CRY-N HCS-20 CMD-4-DC01 + HLD-20</p>  <p>M4-30 Screws are not included</p>	<p>CTU-8-CLS, CTU-18-CLS + Fixing board</p> 	<p>HLD-8, HLD-18</p>  <table border="1" data-bbox="798 1892 989 2016"> <tr><td>寸法表</td><td>A</td><td>B</td><td>C</td></tr> <tr><td>HLD-8</td><td>42.5</td><td>33.5</td><td>42.5</td></tr> <tr><td>HLD-18</td><td>44.5</td><td>35.3</td><td>54</td></tr> <tr><td></td><td>D</td><td>E</td><td></td></tr> <tr><td>HLD-8</td><td>33.5</td><td>φ3.4</td><td></td></tr> <tr><td>HLD-18</td><td>45</td><td>φ3.4</td><td></td></tr> </table> <p>¥ 110 / ea (HLD-8) ¥ 140 / ea (HLD-18)</p>	寸法表	A	B	C	HLD-8	42.5	33.5	42.5	HLD-18	44.5	35.3	54		D	E		HLD-8	33.5	φ3.4		HLD-18	45	φ3.4	
寸法表	A	B	C																							
HLD-8	42.5	33.5	42.5																							
HLD-18	44.5	35.3	54																							
	D	E																								
HLD-8	33.5	φ3.4																								
HLD-18	45	φ3.4																								

☆ Fixing screws are not included in accessories. ☆ Climp tool is not handled.

Attention: Our products are designed and manufactured only for industrial application. It is not for the application for medical, nuclear facilities, life line (mass transportation, weapon, and so on), airplane, and space satellite, with high level safety and reliability.

Appendix ① Accessories list

Extension cable																	
<p>Model: CABLE-1 3m White&Black cable (Vinyl tube) Y terminal (M3) on tip W: k / Bk: l</p>  <p>¥ 700 / ea (For CTU-22-CLF)</p>	<p>Model: CABLE-2 3m White&Black twist cable Cutting (stripping 5mm) on tip W: k / Bk: l</p>  <p>¥ 550 / ea (For CTL-10-CLS, 16-CLS)</p>	<p>Model: CABLE-3 1m cable, stripping (6mm) on tip</p>  <table border="1" data-bbox="1337 591 1481 680"> <tr><td>4</td><td>Bk</td><td>OV</td></tr> <tr><td>3</td><td>W</td><td>OUT</td></tr> <tr><td>2</td><td>B</td><td>-15V</td></tr> <tr><td>1</td><td>R</td><td>+15V</td></tr> </table> <p>¥ 550 / ea (For HCS-AP/AS, AP/AS-CL)</p>	4	Bk	OV	3	W	OUT	2	B	-15V	1	R	+15V			
4	Bk	OV															
3	W	OUT															
2	B	-15V															
1	R	+15V															
<p>Model: CABLE-4 3m White&Black twist cable Cutting (stripping 5mm) on tip W: k / Bk: l</p>  <p>¥ 550 / ea (For CTL-FC, SC series)</p>	<p>Model: CABLE-6 1m cable (Vinyl tube) Wire: Red, White, Black Soldering (stripping 5mm) on tip R: RL / W: k / Bk: l</p>  <p>¥ 720 / ea (For CTU-8-CLS)</p>	<p>Model: CABLE-5 1m cable (Vinyl tube)</p>  <table border="1" data-bbox="1329 1039 1489 1128"> <tr><td>4</td><td>Bk</td><td>COM</td></tr> <tr><td>3</td><td>W</td><td>OUT</td></tr> <tr><td>2</td><td>G</td><td>-15V</td></tr> <tr><td>1</td><td>R</td><td>+15V</td></tr> </table> <p>¥ 750 / ea (For HCS-8-20AP-CL)</p>	4	Bk	COM	3	W	OUT	2	G	-15V	1	R	+15V			
4	Bk	COM															
3	W	OUT															
2	G	-15V															
1	R	+15V															
<p>Model: CABLE-14 1m cable, stripping (6mm) on tip</p>  <table border="1" data-bbox="368 1464 528 1576"> <tr><td>5</td><td>Bk</td><td>COM</td></tr> <tr><td>4</td><td>Bk</td><td>COM</td></tr> <tr><td>3</td><td>W</td><td>OUT</td></tr> <tr><td>2</td><td></td><td></td></tr> <tr><td>1</td><td>R</td><td>+15V, +12V</td></tr> </table> <p>¥ 650 / ea (For DCS-20-ASH series)</p>	5	Bk	COM	4	Bk	COM	3	W	OUT	2			1	R	+15V, +12V		
5	Bk	COM															
4	Bk	COM															
3	W	OUT															
2																	
1	R	+15V, +12V															